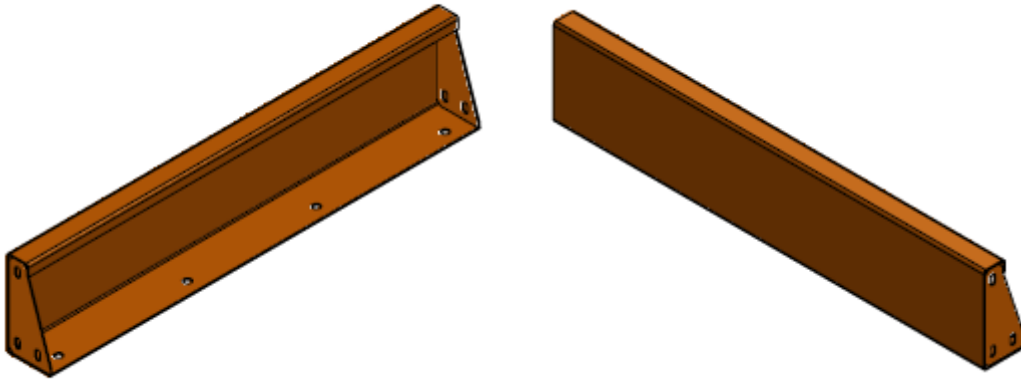
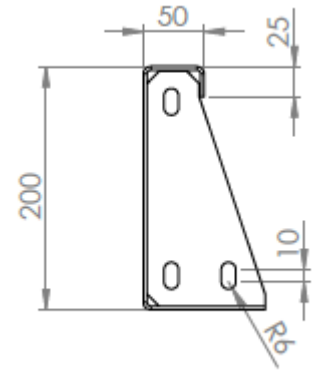


Retaining walls

With our range of retaining walls you can endlessly combine and almost any shape can be realised easily and quickly in your garden design. A prefab system that is easy to install with the supplied fasteners. These retaining walls have a top edge of 50x25mm as standard.

Options:

- Available in 2 different materials: CorTen Steel and coated Aluminum
- Height: 200, 300, 400 and 600mm
- Straight pieces in length: 1000, 1500 and 2000mm
- Inside and outside corners, in lengths of 500 and 1000mm
- Inside and outside curves, with radius of 500 and 1000mm



Attach the sections to each other using the supplied bolts and nuts (M10x30)

Retaining wall Straight

- 1000mm
- 1500mm
- 2000mm

Retaining wall Outside corner

- 500mm
- 1000mm

Retaining wall Inside corner

- 500mm
- 1000mm

Retaining wall Outside curve

- 500mm
- 1000mm
- 1500mm
- 2000mm

Retaining wall Inside curve

- 500mm
- 1000mm
- 1500mm
- 2000mm

