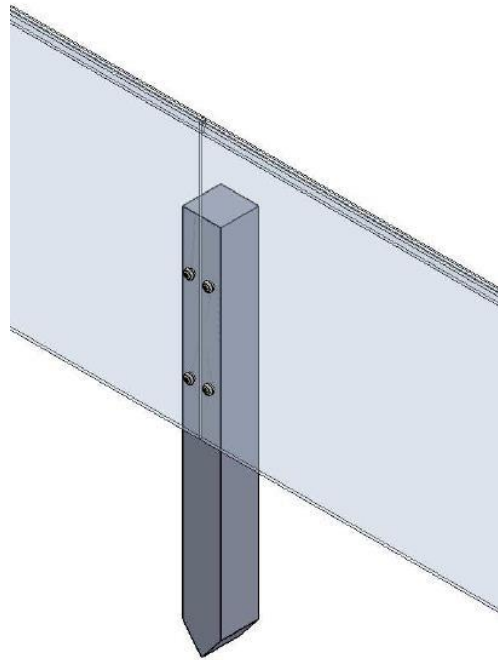


## 1. Installation with edging pegs

Edging pegs  
40x40x400mm  
40x40x600mm

*Order edging pegs  
+ holes lengthwise separate*



## 2. Bayable enclosure with steel pins

